



GENERAL  
OPEN SURGERY

# LC – LINEAR CUTTER STAPLER

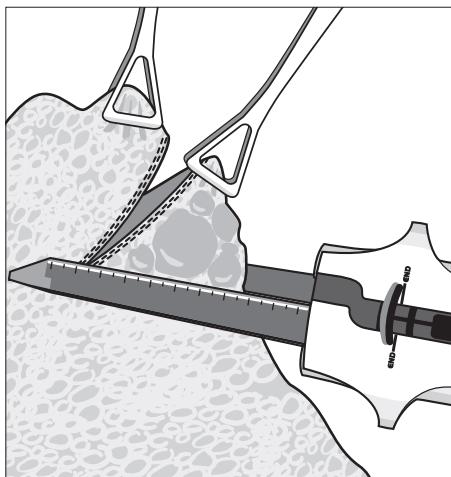
SINGLE USE INTERNAL STAPLER

# LINEAR CUTTER STAPLER

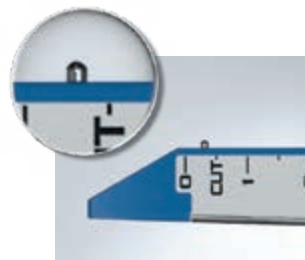
## SINGLE USE INTERNAL STAPLER

### PRODUCT FEATURES

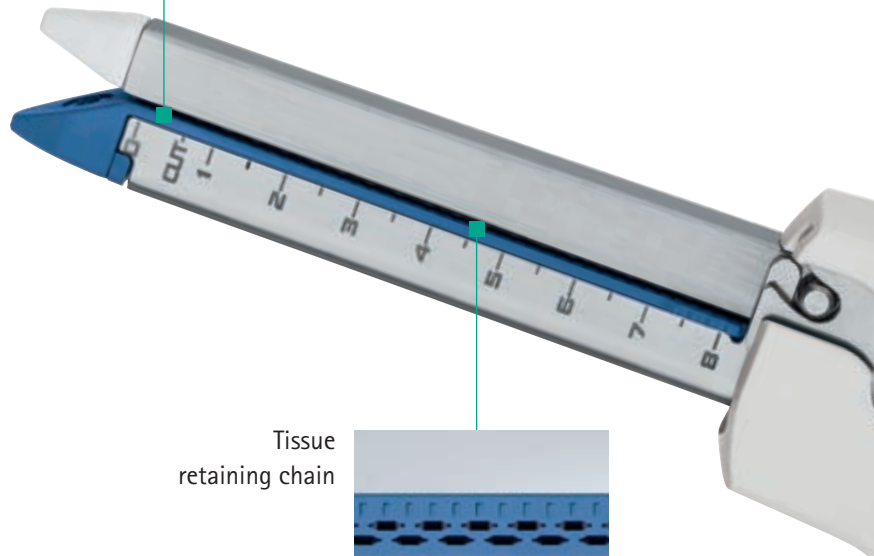
- New blade with each firing
- Double-sided firing lever
- Fast release button
- End line indication
- Hinged connection
- Floating cartridge
- Corrugated anti-slip finger pad
- Additional gold cartridge staple size
- Length indicator on both sides of cartridge fork
- Stapling line longer than cutting line
- Reloadable 11 times for a total of 12 firings



- **BLC – Balanced Leverage Control System**  
Ensures parallel closure of the instrument's forks
  - Tissue positioning point
  - Double balancing points
  - Thickened steel
- **TPC – Tissue Positioning Chain**  
Prevents tissue slippage within instrument's forks



Tissue positioning point



Tissue retaining chain



# DESCRIPTION

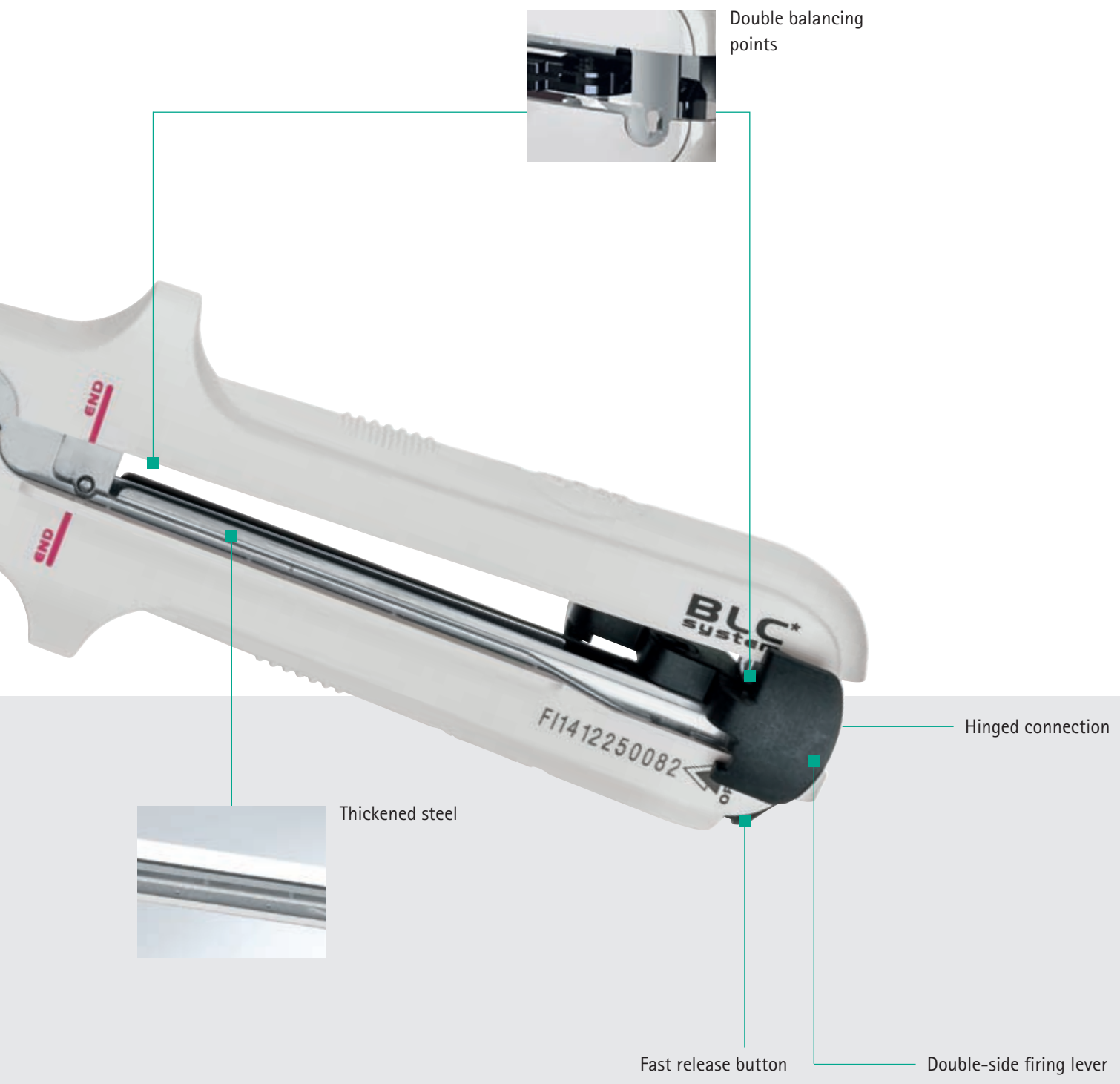
**Shielding blade:**  
Prevents injuries and accidental pre-firings



Before firing



After firing



Double balancing points

Thickened steel

Hinged connection

Fast release button

Double-side firing lever

# LINEAR CUTTER STAPLER AND RELOADS

## SINGLE USE INTERNAL STAPLER

ARTICLE NO.	DIMENSION	STAPLE LINE LENGTH	CUTTING LENGTH	STAPLE QUANTITY	STAPLE HEIGHT	COLOUR CODE
LC6025	60 mm	65 mm	59 mm	64	2.5 mm	White
LCC6025	60 mm	65 mm	59 mm	64	2.5 mm	White
LC6038	60 mm	65 mm	59 mm	64	3.8 mm	Blue
LCC6038	60 mm	65 mm	59 mm	64	3.8 mm	Blue
LC6045	60 mm	65 mm	59 mm	64	4.5 mm	Green
LCC6045	60 mm	65 mm	59 mm	64	4.5 mm	Green
LC8038	80 mm	85 mm	79 mm	84	3.8 mm	Blue
LCC8038	80 mm	85 mm	79 mm	84	3.8 mm	Blue
LC8042	80 mm	85 mm	79 mm	84	4.2 mm	Golden
LCC8042	80 mm	85 mm	79 mm	84	4.2 mm	Golden
LC8045	80 mm	85 mm	79 mm	84	4.5 mm	Green
LCC8045	80 mm	85 mm	79 mm	84	4.5 mm	Green
LC10038	100 mm	105 mm	99 mm	104	3.8 mm	Blue
LCC10038	100 mm	105 mm	99 mm	104	3.8 mm	Blue
LC10045	100 mm	105 mm	99 mm	104	4.5 mm	Green
LCC10045	100 mm	105 mm	99 mm	104	4.5 mm	Green



Touchstone International Medical Science Co., Ltd. | 21 A Science Plaza  
International Science Park | No. 1355 Jinjihu Avenue | Suzhou | China



Shanghai International Holding Corp. GmbH (Europe)  
Eiffestraße 80 | 20537 Hamburg | Germany

Distributed by:

B. Braun Surgical, S.A. | Carretera de Terrassa, 121 | 08191 Rubí | Spain  
Phone +34 93 586 6200 | Fax +34 93 588 1096 | [www.bbraun.com](http://www.bbraun.com)

## AESCULAP<sup>®</sup> – a B. Braun brand

Aesculap AG | Am Aesculap-Platz | 78532 Tuttlingen | Germany  
Phone +49 7461 95-0 | Fax +49 7461 95-2600 | [www.aesculap.com](http://www.aesculap.com)